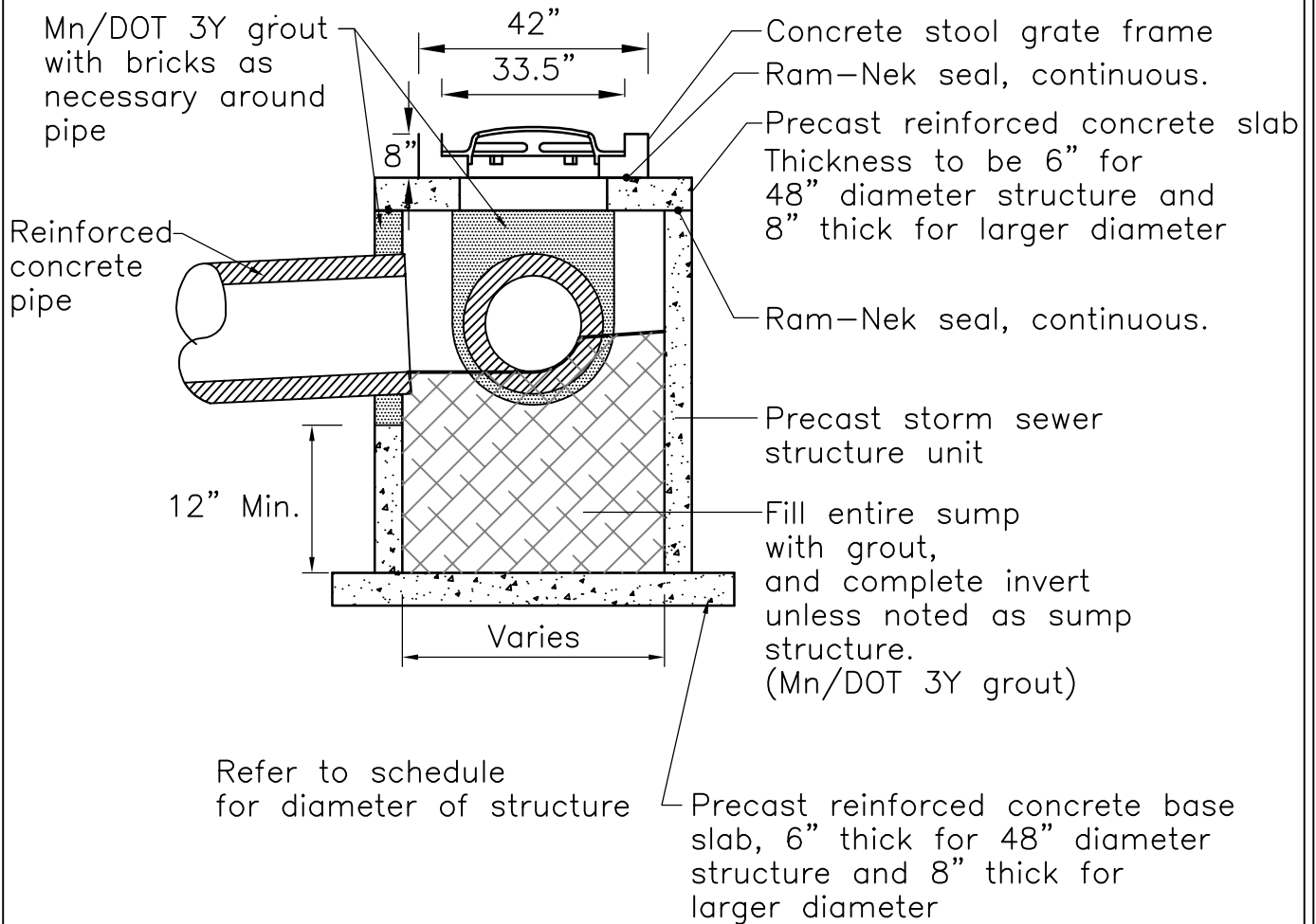


ISOMETRIC

No block structures are allowed.



No Scale



STANDARD DETAILS
PRECAST SHALLOW STRUCTURE
OFF STREET CATCHBASIN
WITH CONCRETE STOOL GRATE FRAME



Last Revision:
January 2007

COTTAGE GROVE, MINNESOTA

City Plate No.
STO-6A