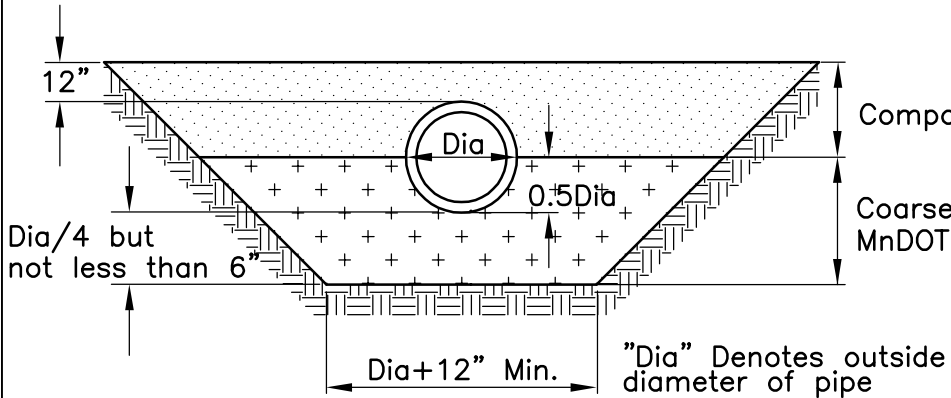


Compacted Backfill
2000# Concrete

LOAD FACTOR 2.3

CLASS A

Concrete backfill to 0.5 of outside diameter with shaped bedding.

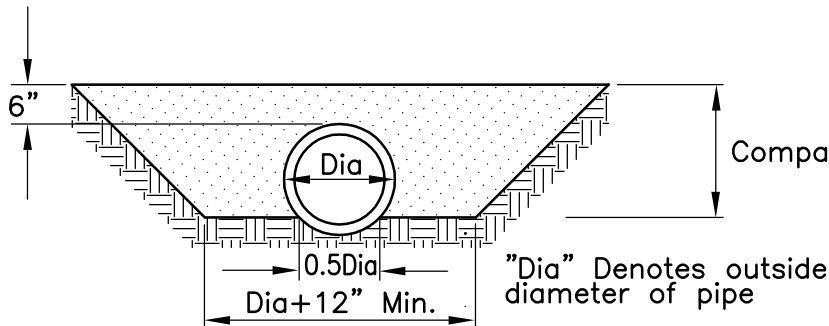


Compacted Backfill
Coarse Filter Aggregate
MnDOT Spec. 3149H Mod.

LOAD FACTOR 1.9

CLASS B

Hand shaped from angular bedding material

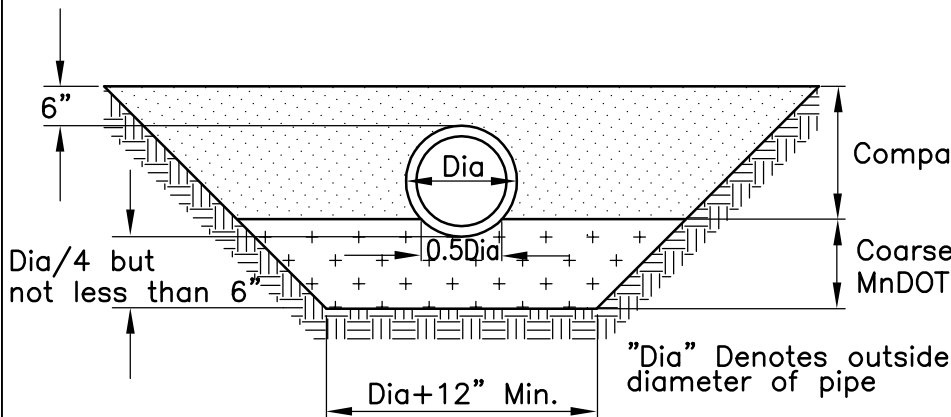


Compacted Backfill

LOAD FACTOR 1.5

CLASS C-1

Hand shaped from firm undisturbed soil



Compacted Backfill

Coarse Filter Aggregate
MnDOT Spec. 3149H Mod.

LOAD FACTOR 1.5

CLASS C-2

Hand shaped from angular bedding material



STANDARD DETAILS

BEDDING METHODS
FOR RCP or DIP



Last Revision:
June 2005

COTTAGE GROVE, MINNESOTA

City Plate No.
BED-2