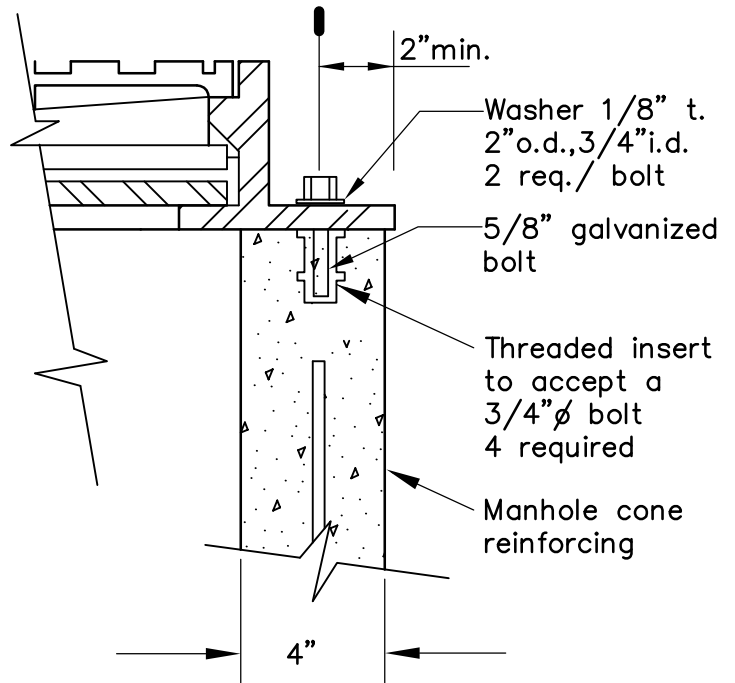
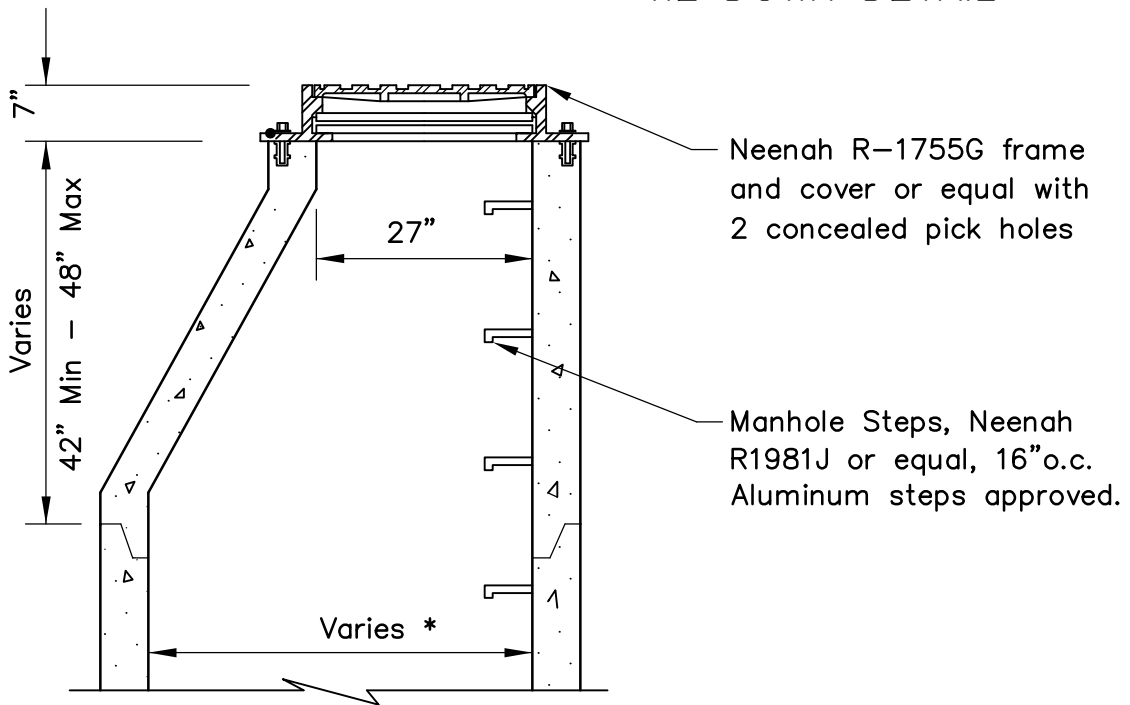


PLAN VIEW
TOP COVER REMOVED



TIE DOWN DETAIL



ECCENTRIC
WATERTIGHT MANHOLE

* Determined by pipe size



STANDARD DETAILS
WATERTIGHT CASTING FOR
SANITARY SEWER MANHOLE



Last Revision:
June 2005

COTTAGE GROVE, MINNESOTA

City Plate No.
SAN-5