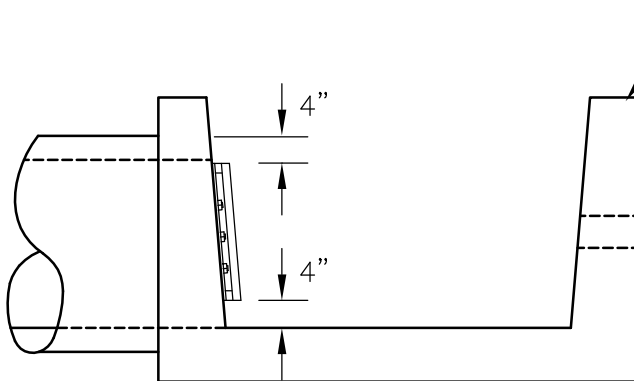


Steel Plate – Bolt to concrete with stainless steel bolts. Hot dip galvanize after fabrication.

FRONT VIEW



Energy dissipator: See MnDOT Standard Plate No. 5200B

SIDE VIEW

Size of Pipe	Size of Plate	Bars	Bolts
12" to 18"	1/4"x2"	3/4"∅	2-5/8"∅
21" to 48"	1/4"x3"	1"∅	3-3/4"∅

NOTE:

Tie last 3 joints. Use 2 tie bolt fasteners per joint intalled at 60∅ from top or bottom of pipe.



STANDARD DETAILS

**ENERGY DISSIPATOR
AND TRASH GUARD**



Last Revision:
June 2005

COTTAGE GROVE, MINNESOTA

City Plate No.
STO-11