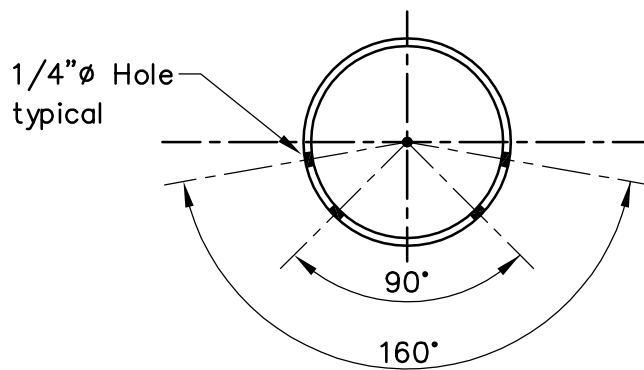


**TRENCH DETAIL**



**PIPE DETAIL**



STANDARD DETAILS  
PVC PERFORATED PIPE



Last Revision:  
June 2005

**COTTAGE GROVE, MINNESOTA**

City Plate No.  
**STO-12**