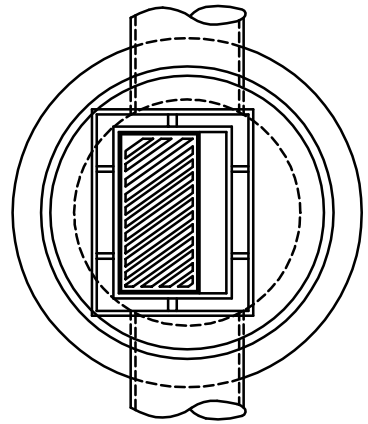


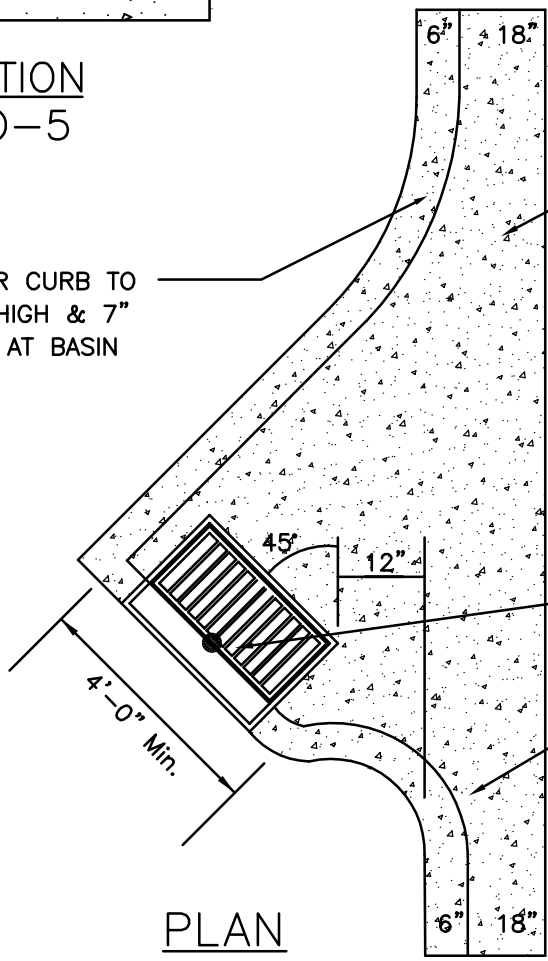
SECTION
STO-5

CASTING AND ADJUSTMENT RINGS AS SPECIFIED



PLAN
STO-5

TAPER CURB TO 11" HIGH & 7" WIDE AT BASIN



PLAN

B618 CURB & GUTTER

CONCRETE CURB & GUTTER & CONCRETE APRON

THIS POINT 6" BELOW NORMAL GUTTER GRADE

TAPER CURB AS ABOVE



STANDARD DETAILS
4' DIA. HIGH CAPACITY CATCH BASIN
B618 CURB



Last Revision:
June 2005

COTTAGE GROVE, MINNESOTA

City Plate No.
STO-14