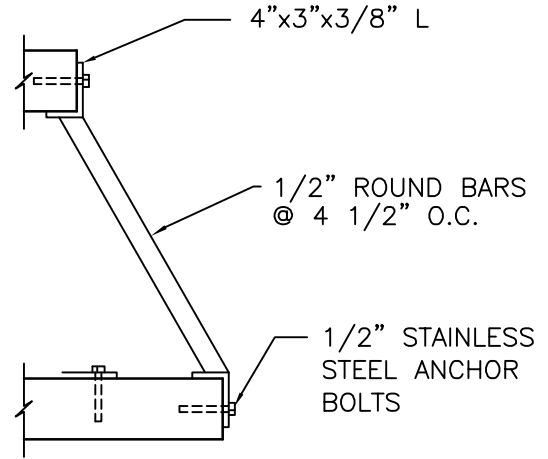
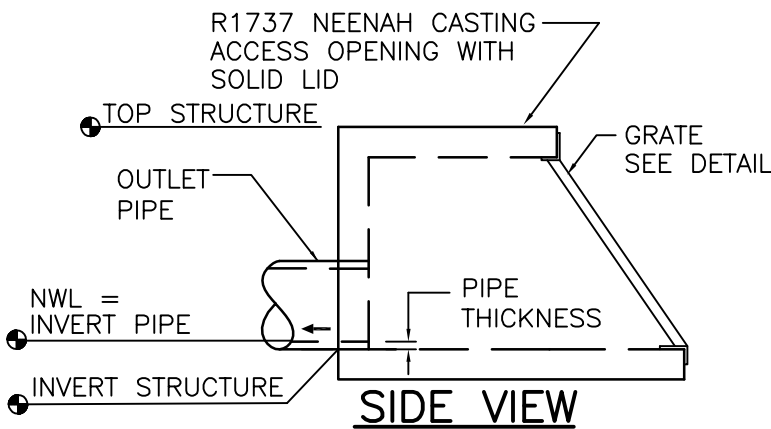


TOP VIEW

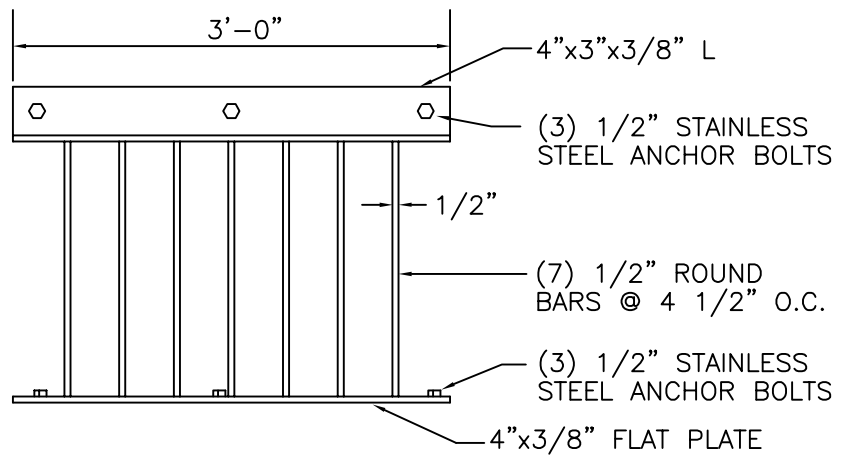


OUTLET STRUCTURE NOTES:

1. OUTLET STRUCTURE SHALL BE REINFORCED PRECAST CONCRETE.
2. GRATING SHALL BE HOT DIPPED GALVANIZED AFTER FABRICATION.
3. ALL ANCHOR BOLTS SHALL BE 1/2"Ø S.S. EXP. ANCHORS W/ 4" MIN. EMBEDMENT.
4. MAXIMUM SIZE OULET PIPE TO BE 18".



SIDE VIEW



GRATE DETAIL



STANDARD DETAILS

OUTLET STRUCTURE



Last Revision:
June 2005

COTTAGE GROVE, MINNESOTA

City Plate No.
STO-15