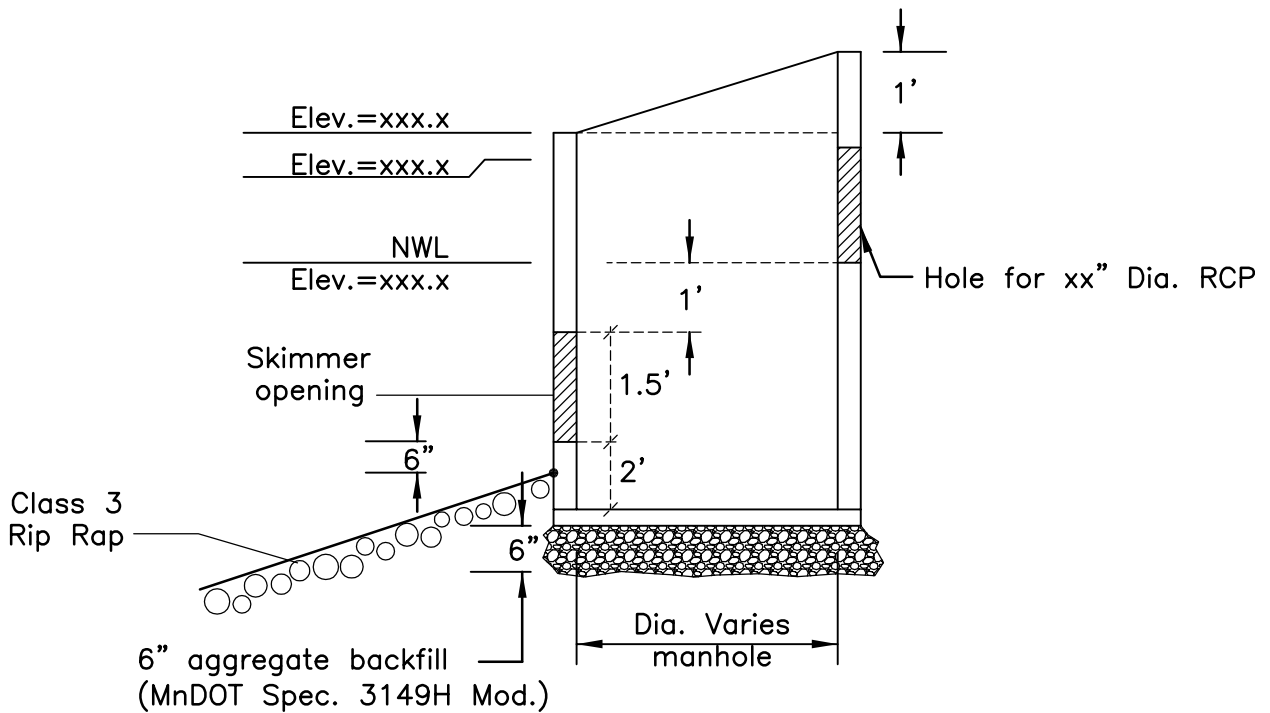


MH DIAMETER	SKIMMER OPENING
4'	3'x1.5'
5'	5'x1.5'
6'	6'x1.5'

GRATE DETAIL



STANDARD DETAILS  
STANDARD SKIMMER STRUCTURE



Last Revision:  
June 2005

**COTTAGE GROVE, MINNESOTA**

City Plate No.  
STO-16