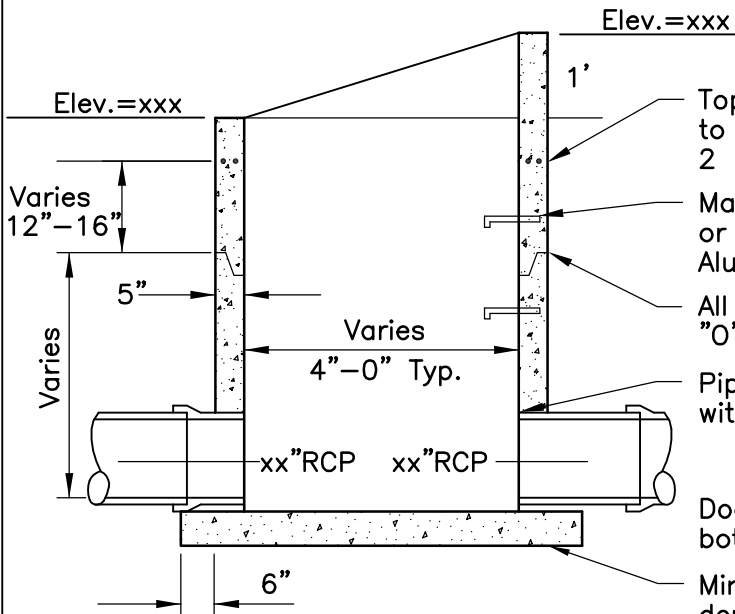


MH DIAMETER	SKIMMER OPENING
4'	4'x1.5'
5'	5'x1.5'
6'	6'x1.5'

GRATE DETAIL

No block structures are allowed.



SECTION

Doghouses must be grouted both inside and outside.
 Minimum slab thickness is 6" for 14' depth. Increase thickness 1" for every 4' of depth greater than 14', and reinforce with 6" x 6" 10/10 mesh.



STANDARD DETAILS
STANDARD OVERFLOW STRUCTURE



Last Revision:
 June 2005

COTTAGE GROVE, MINNESOTA

City Plate No.
 STO-17