

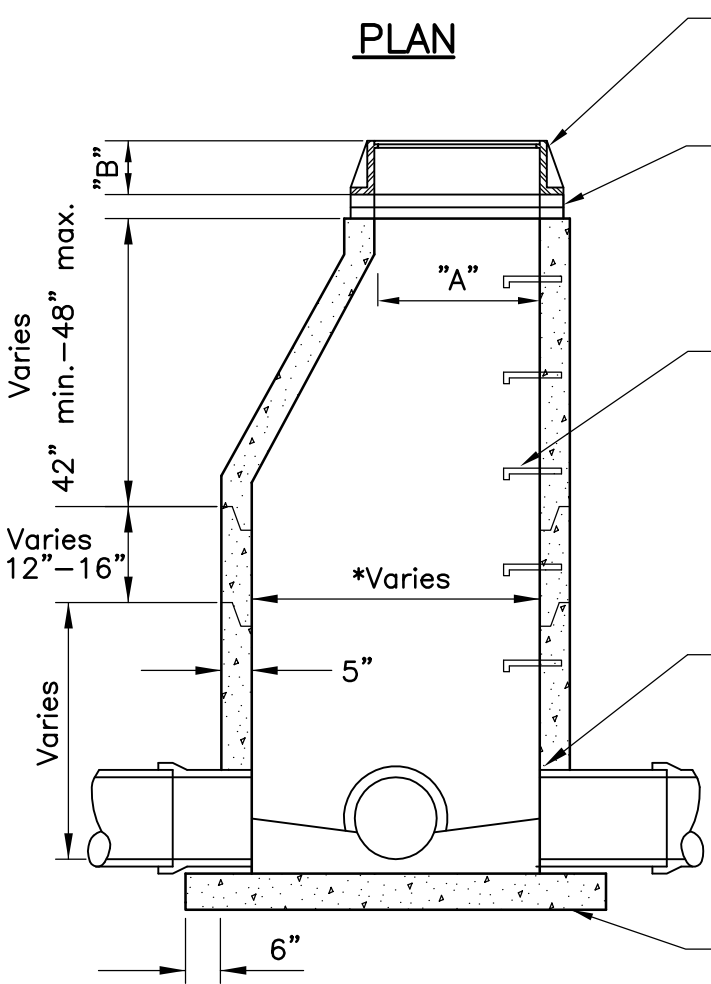
Grout bottom of manhole to 1/2 diameter at pipe and slope grout 2" toward invert.

CASTING	A	B
R1642B	27"	7"

Manhole steps shall be placed so that offset vertical portion of cone is facing downstream.

No block structures are allowed.

PLAN



Neenah frame and cover or equal, lettered, "Storm Sewer", with 2 concealed pick holes.

Minimum of 2, maximum of 5 HDPE adjustment rings

Manhole steps, Neenah R1981J or equal, 16" on center. Aluminum steps approved.

Pipe shall be cut out flush with inside face of wall.

NOTE: Kor-n-seal manhole or equal considered acceptable alternate.

Minimum slab thickness is 6" for 14' depth. Increase thickness 1" for every 4' of depth greater than 14', and reinforce with 6" x 6" 10/10 mesh.

SECTION

*Determined by pipe size



STANDARD DETAILS
STORM SEWER JUNCTION MANHOLE



Last Revision:
June 2005

COTTAGE GROVE, MINNESOTA

City Plate No.
STO-2