

Precast invert should be 1/2 diameter of pipe and benches sloped 2" toward invert.

| CASTING | A | B |
|---------|-----|----|
| R1642 | 27" | 7" |

Manhole steps shall be placed so that offset vertical portion of cone is facing downstream.

No block structures are allowed.

PLAN

For 6' diam. Manhole an 8" precast slab is required.

Neenah frame and type B cover or equal lettered, "Storm Sewer", with 2 concealed pick holes.

Minimum of 2, maximum of 5 HDPE adjustment rings

6" Precast Reinforced Concrete Manhole Slab with #4 Bars at 5" o.c. Each Way and 2-#4 Bars at all Sides of Opening.

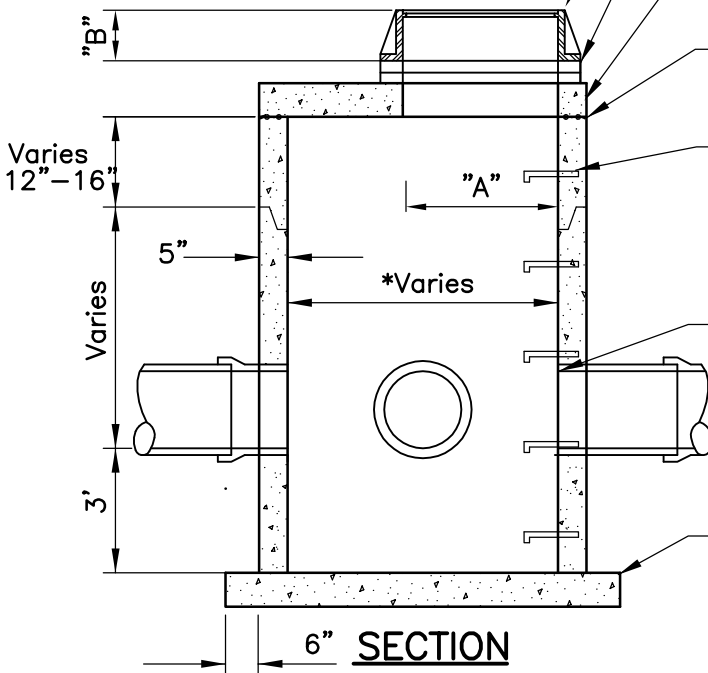
Top of barrel section below top slab to have flat top edge sealed with 2 beads of Ramnek or equal.

Manhole steps, Neenah R1981J or equal, 16" on center. Aluminum steps approved.

Pipe shall be cut out flush with inside face of wall.

Doghouses must be grouted both inside and outside.

Minimum slab thickness is 6" for 14' depth. Increase thickness 1" for every 4' of depth greater than 14', and reinforce with 6" x 6" 10/10 mesh.



*Determined by pipe size



STANDARD DETAILS
STORM SEWER JUNCTION MANHOLE
WITH REINFORCED TOP SLAB & SUMP



Last Revision:
 June 2005

COTTAGE GROVE, MINNESOTA

City Plate No.
 ST0-20