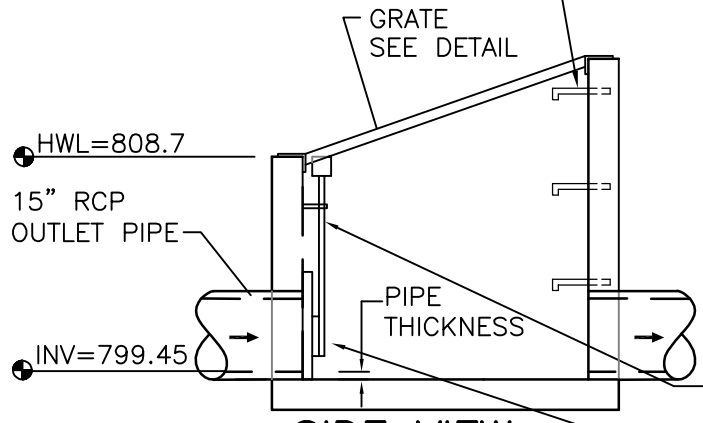


**TOP VIEW**

MANHOLE STEPS, NEENAH R1981J OR EQUAL, 16" ON CENTER.  
ALUMINUM STEPS APPROVED



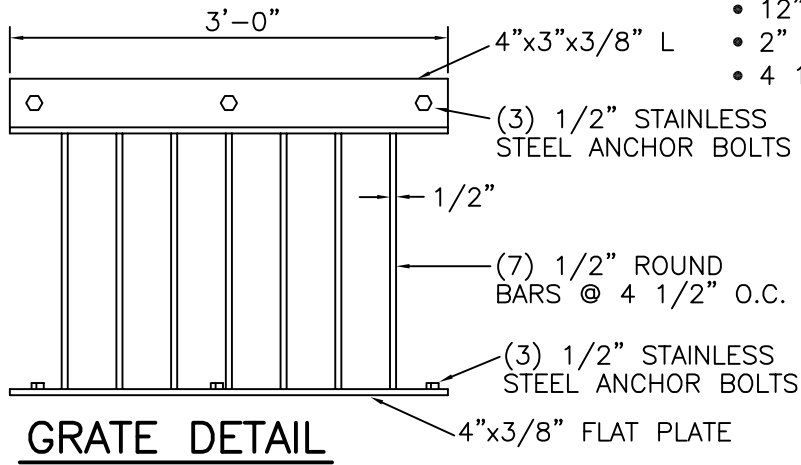
**SIDE VIEW**

**OUTLET STRUCTURE NOTES:**

1. OUTLET STRUCTURE SHALL BE REINFORCED PRECAST CONCRETE.
2. GRATING SHALL BE HOT DIPPED GALVANIZED AFTER FABRICATION.
3. ALL ANCHOR BOLTS SHALL BE 1/2"Ø S.S. EXP. ANCHORS W/ 4" MIN. EMBEDMENT.
4. MAXIMUM SIZE OULET PIPE TO BE 18".
5. FOR STRUCTURES CAST IN 2 SECTIONS, MASTIC SHALL BE USED TO PROVIDE A WATERTIGHT SEAL AND SECTIONS SHALL BE SECURED USING WELD PLATES.
6. GRATE MAY BE VARIED WITH APPROVAL FROM ENGINEER
7. ENGINEER TO REVIEW SHOP DRAWINGS BEFORE CONSTRUCTION

SLUICE GATE OPERATING NUT & ROD SECURE TO WALL W/MOUNTING BRACKET

- SLUICE GATE W/ SPECIFIED ORFICE
- 12" OPENING N.R. STEM
  - 2" SQUARE OPERATING NUT
  - 4 1/2" ORFICE AS SPECIFIED



**GRATE DETAIL**



**STANDARD DETAILS**  
OVERFLOW STRUCTURE  
W/ SLUICE GATE WITH ORFICE



Last Revision:  
June 2005

**COTTAGE GROVE, MINNESOTA**

City Plate No.  
STO-23