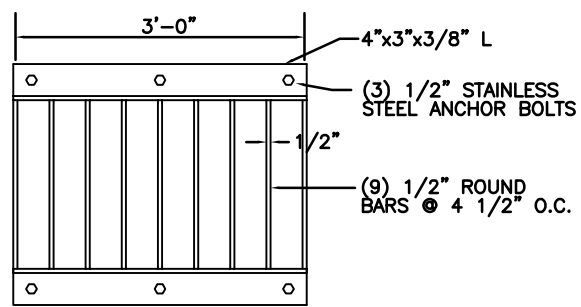
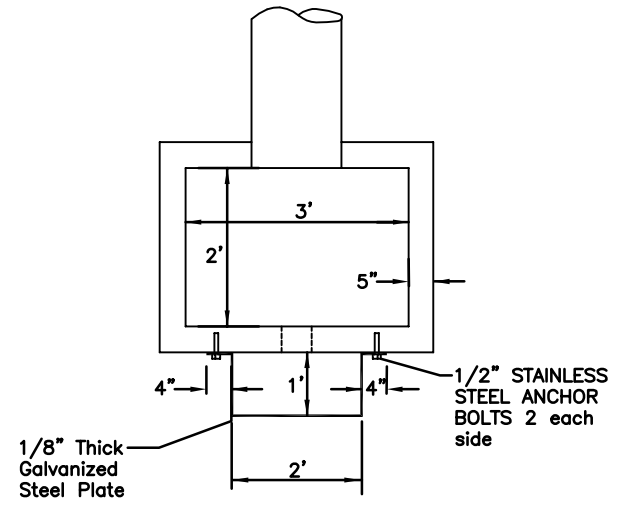


TOP VIEW

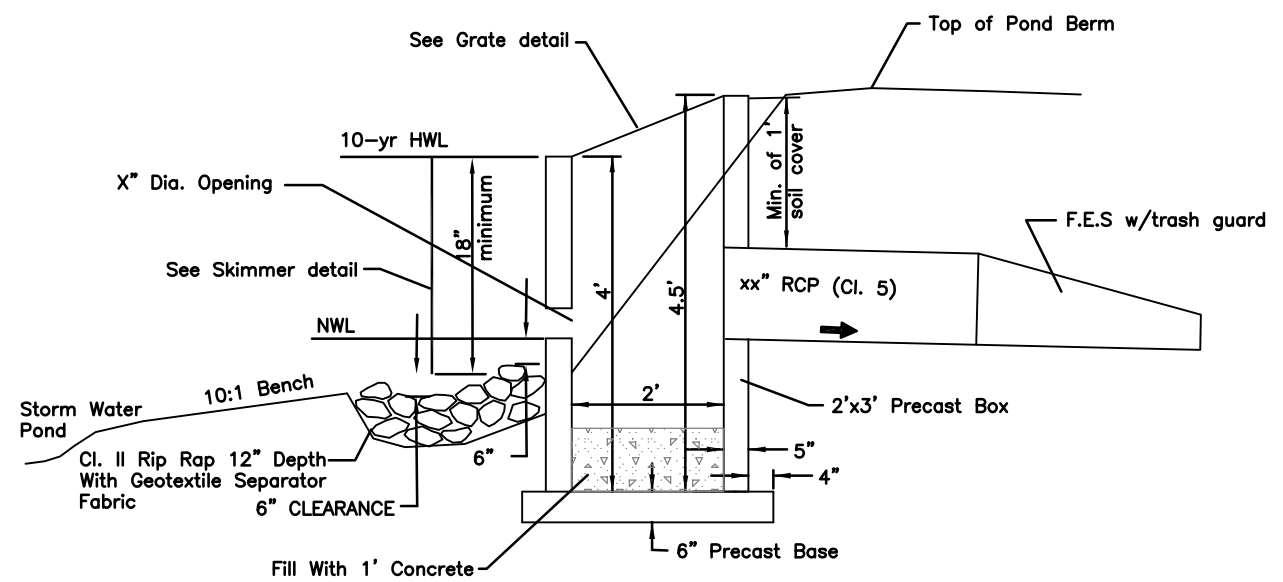
- OUTLET STRUCTURE NOTES:**
1. OUTLET STRUCTURE SHALL BE REINFORCED PRECAST CONCRETE.
 2. GRATING SHALL BE HOT DIPPED GALVANIZED AFTER FABRICATION.
 3. ALL ANCHOR BOLTS SHALL BE 1/2"Ø S.S. EXP. ANCHORS W/ 4" MIN. EMBEDMENT.



GRATE DETAIL
NOT TO SCALE



SKIMMER DETAIL
NOT TO SCALE



**STORM WATER POND
OUTLET STRUCTURE**
NOT TO SCALE



STANDARD DETAILS
POND OUTLET SKIMMER STRUCTURE



Last Revision:
March 2005

COTTAGE GROVE, MINNESOTA

City Plate No.
STO-29