

Precast invert should be 1/2 diameter of pipe and benches sloped 2" toward invert.

CASTING	A	B
R1642	27"	7"

Manhole steps shall be placed so that offset hole in top slab is facing downstream.

No block structures are allowed.

**PLAN**

For 6' diam. Manhole an 8" precast slab is required.

Neenah frame and type B cover or equal lettered, "Storm Sewer", with 2 concealed pick holes.

Minimum of 2, maximum of 5 HDPE adjustment rings

6" Precast Reinforced Concrete Manhole Slab with #4 Bars at 5" o.c. Each Way and 2-#4 Bars at all Sides of Opening.

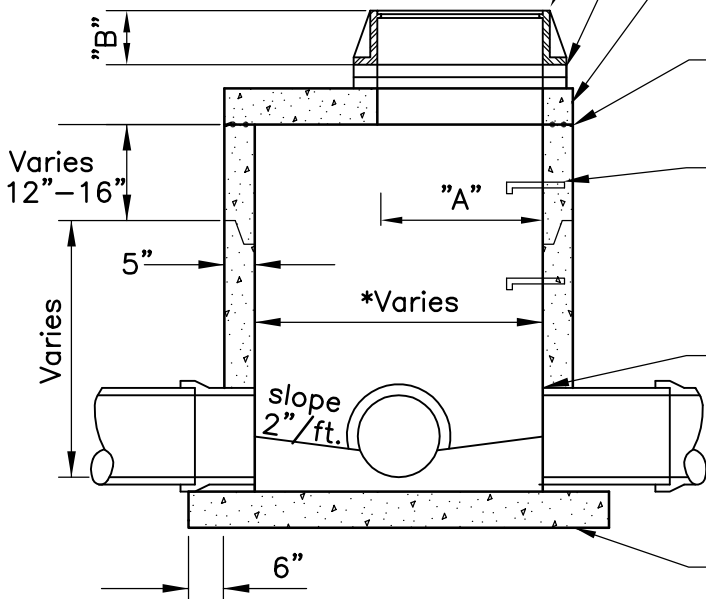
Top of barrel section below top slab to have flat top edge sealed with 2 beads of Ramnek or equal.

Manhole steps, Neenah R1981J or equal, 16" on center. Aluminum steps approved.

Pipe shall be cut out flush with inside face of wall.

Doghouses must be grouted both inside and outside.

Minimum slab thickness is 6" for 14' depth. Increase thickness 1" for every 4' of depth greater than 14', and reinforce with 6" x 6" 10/10 mesh.



**SECTION**

\*Determined by pipe size



**STANDARD DETAILS**  
**STORM SEWER JUNCTION MANHOLE**  
**WITH REINFORCED TOP SLAB**



Last Revision:  
 June 2005

**COTTAGE GROVE, MINNESOTA**

City Plate No.  
 ST0-3