

No block structures are allowed.

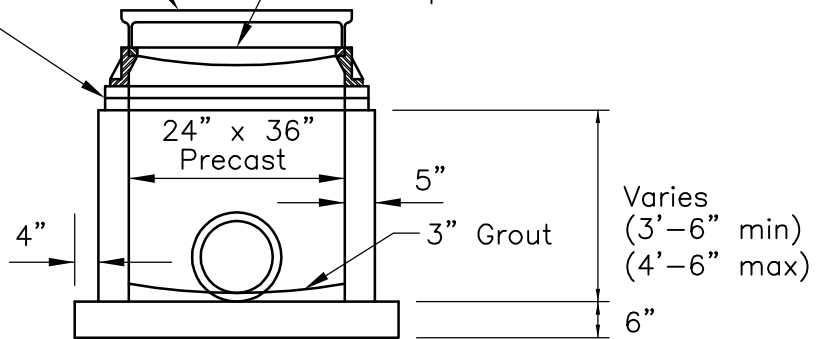
Catchbasin casting
Neenah R3290-VB or equal
with Vane grate
3" radius curb box.

Grate to be 1" below
gutter grade.
10' transition each
side of catchbasin.

Minimum of 2,
maximum of 5
HDPE adjustment
rings.

Top of Curb

Doghouses shall be
grouted on both the
inside and outside.



STANDARD DETAILS
CATCHBASIN



Last Revision:
June 2005

COTTAGE GROVE, MINNESOTA

City Plate No.
STO-5