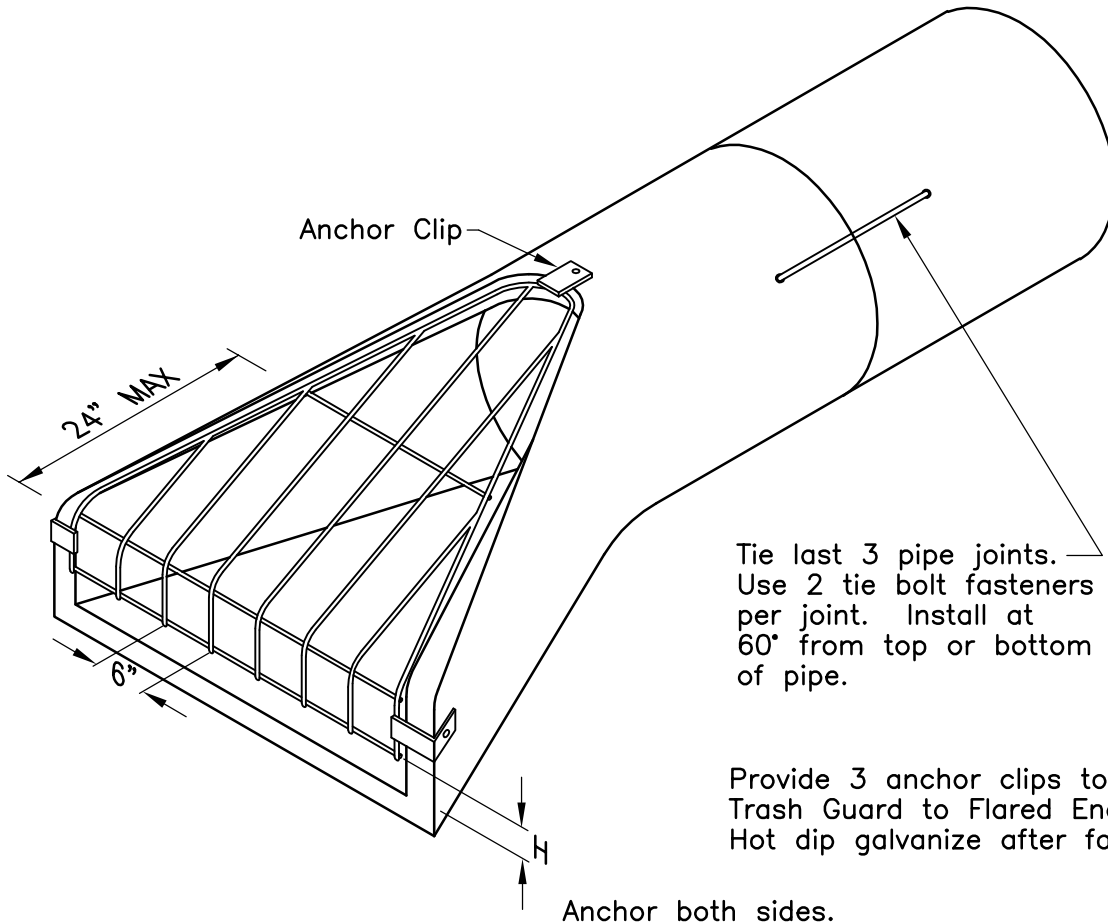


See City Plate No. STO-8 for riprap placement.



Tie last 3 pipe joints. Use 2 tie bolt fasteners per joint. Install at 60° from top or bottom of pipe.

Provide 3 anchor clips to fasten Trash Guard to Flared End Section. Hot dip galvanize after fabrication.

Anchor both sides.

ISOMETRIC

Pipe Size	TRASH GUARD SIZING		
	Bars	'H'	Bolts
12"–18"	3/4"φ	4"	5/8"
21"–42"	1"φ	6"	3/4"
48"–72"	1 1/4"φ	12"	1"



Bonestroo

STANDARD DETAILS
FLARED END SECTION
AND TRASH GUARD



City of
Cottage Grove
Minnesota

Last Revision:
June 2005

COTTAGE GROVE, MINNESOTA

City Plate No.
STO-7