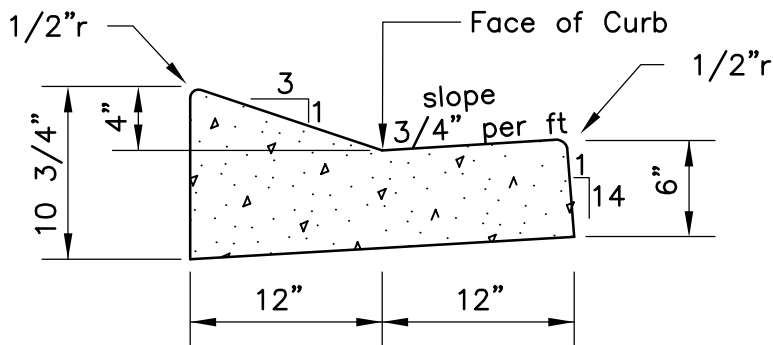
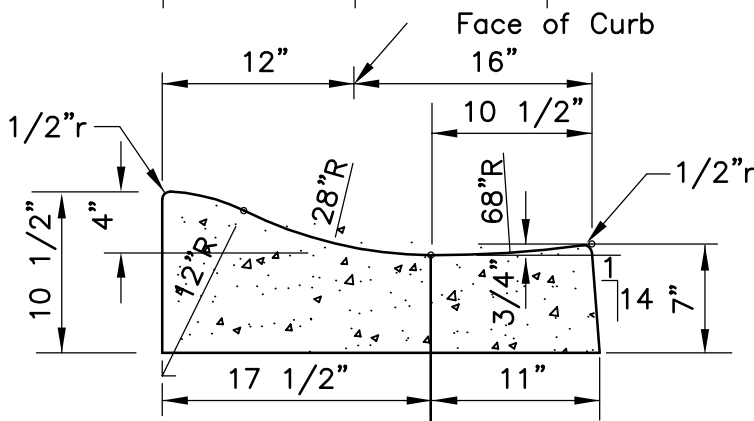


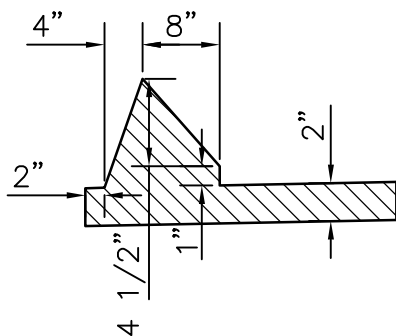
MnDOT B618



SURMOUNTABLE
D-412



SURMOUNTABLE
D-428



6" SHOE FORMED
BITUMINOUS CURB
INTERGAL W/ MAT



STANDARD DETAILS
CURB AND GUTTER



Last Revision:
June 2005

COTTAGE GROVE, MINNESOTA

City Plate No.
STR-1