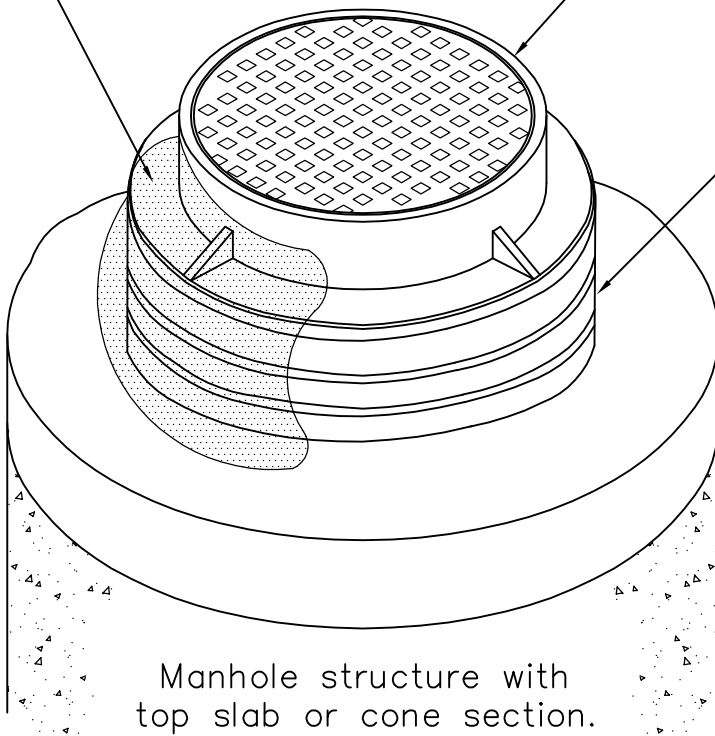


Neenah R3290-VB catch basin frame and grate. Shall be furnished with curb inlet box and 3" dia. front face and 4" maximum opening.

High Density Polyethylene (HDPE) adjustment rings. min. of 2", max. of 12" with a min. 3/8" mortar between top slab and first ring. Woven filter fabric then shall be wrapped around entire system as specified.

Catch basin structure with top slab or 2' x 3' box.

Woven Filter Fabric



Neenah R1642B manhole frame and cover. Shall be furnished with 2 concealed pick holes and stamped "SANITARY SEWER" or "STORM SEWER".

High Density Polyethylene (HDPE) adjustment rings. Min. of 2", max. of 12", bonded to the structure, casting, and each other by approved sealant. Woven filter fabric then shall be wrapped around the entire system as specified.

Manhole structure with top slab or cone section.



STANDARD DETAILS
CATCH BASIN AND MANHOLE ADJUSTMENT



Last Revision:
March 2006

COTTAGE GROVE, MINNESOTA

City Plate No.
STR-11