

Height – 48 Inches above street level

Have Box extend as far in front of support post as possible. (This prevents possible snow plow damage).

Address must be on side of box from which carrier approaches in letters about one inch high. (Or on front where boxes are grouped).

Box must be located so carrier can serve without leaving vehicle.

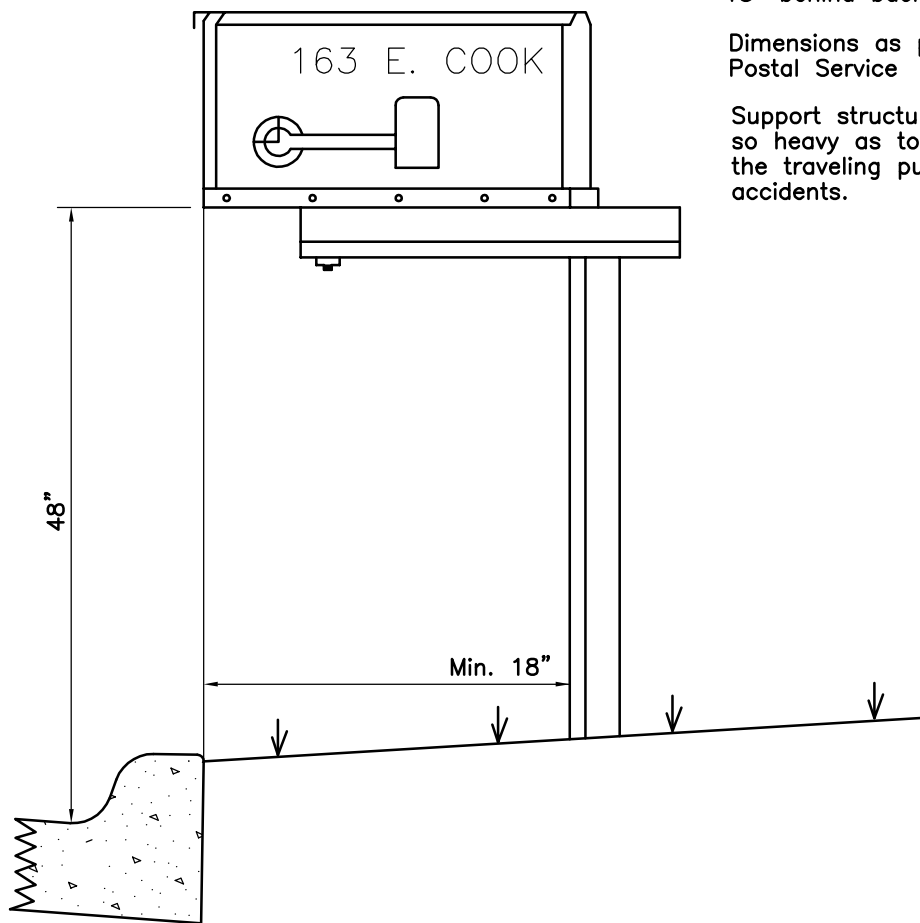
NOTES:

Mailbox should not extend beyond back of curb.

All posts to be a minimum of 18" behind back of curb.

Dimensions as per U.S. Postal Service

Support structure must not be so heavy as to be a hazard to the traveling public in cases of accidents.



STANDARD DETAILS
MAIL BOX INSTALLATION



Last Revision:
June 2005

COTTAGE GROVE, MINNESOTA

City Plate No.
STR-14