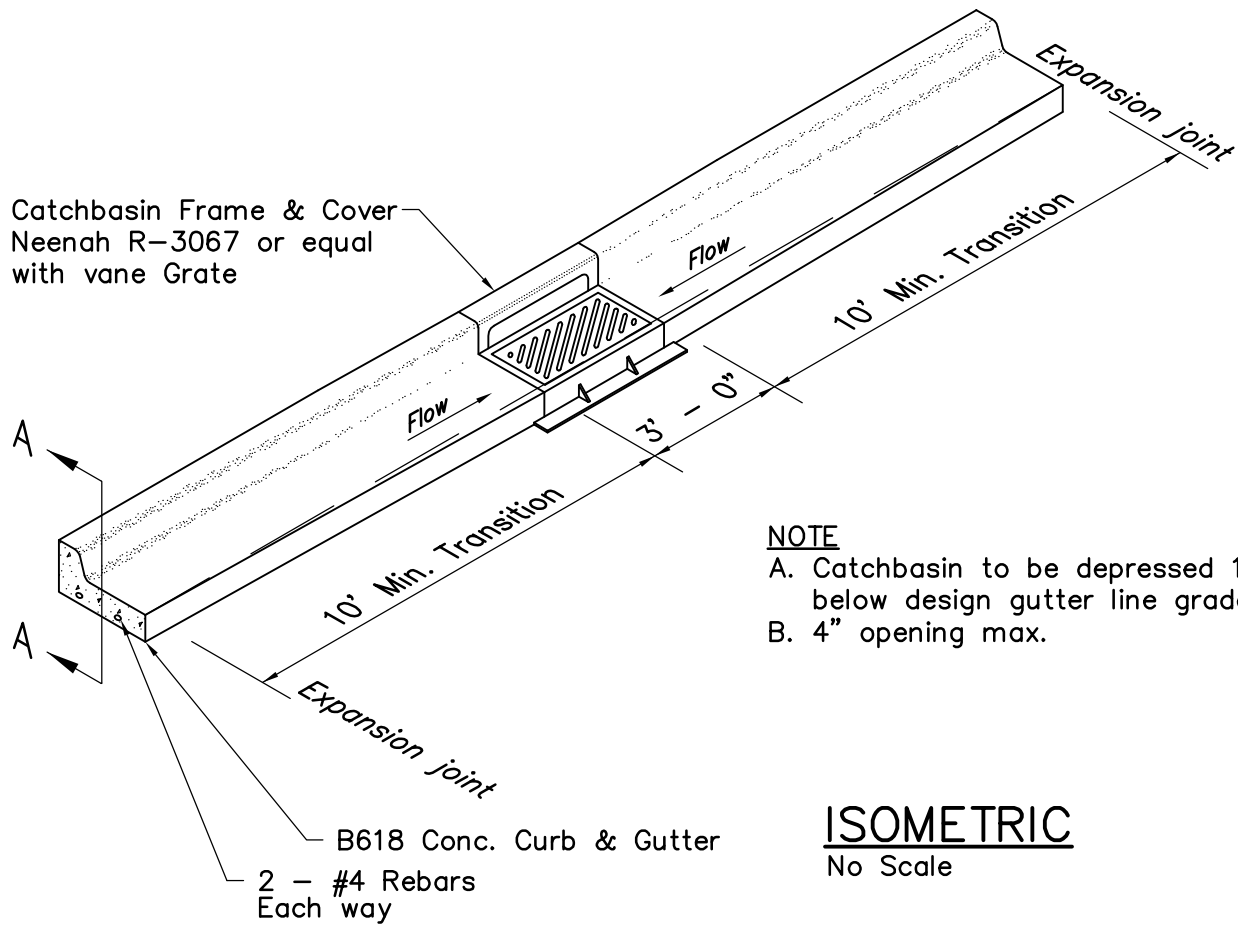
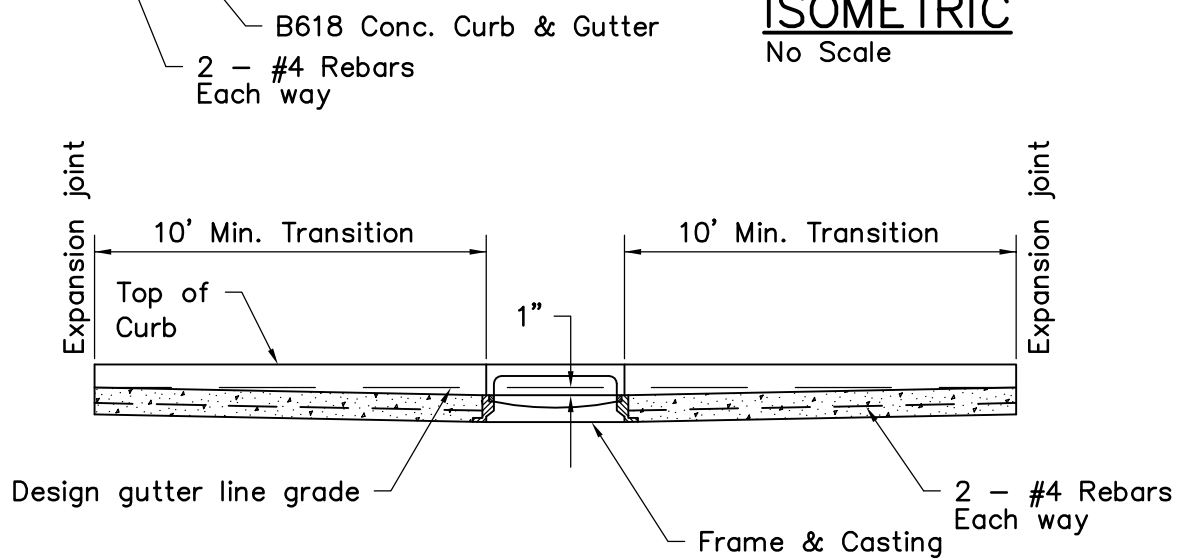


Catchbasin Frame & Cover
Neenah R-3067 or equal
with vane Grate



NOTE
A. Catchbasin to be depressed 1" below design gutter line grade
B. 4" opening max.

ISOMETRIC
No Scale



SECTION A-A
No Scale



STANDARD DETAILS
B618 CURB & GUTTER
CONSTRUCTION AT CATCH BASIN



Last Revision:
June 2005

COTTAGE GROVE, MINNESOTA

City Plate No.
STR-4