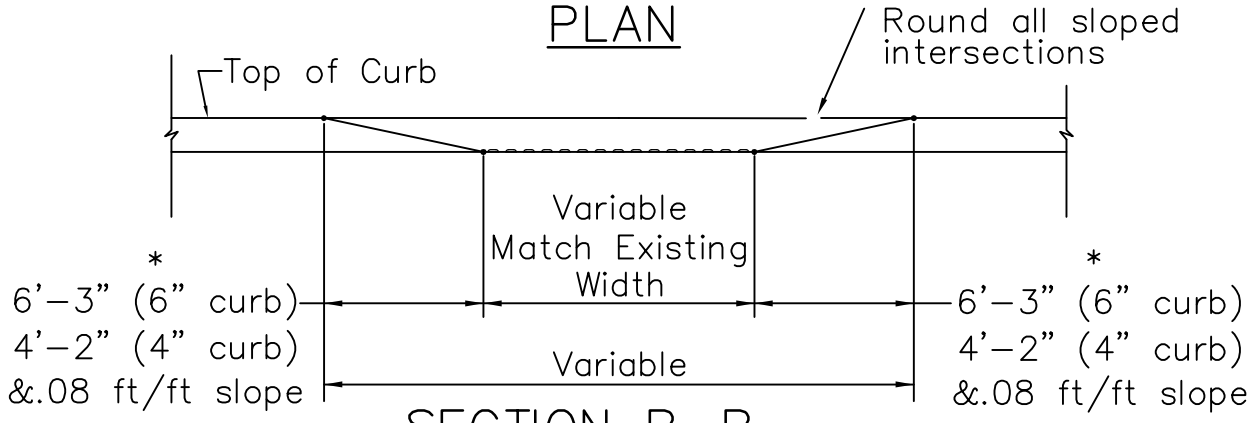
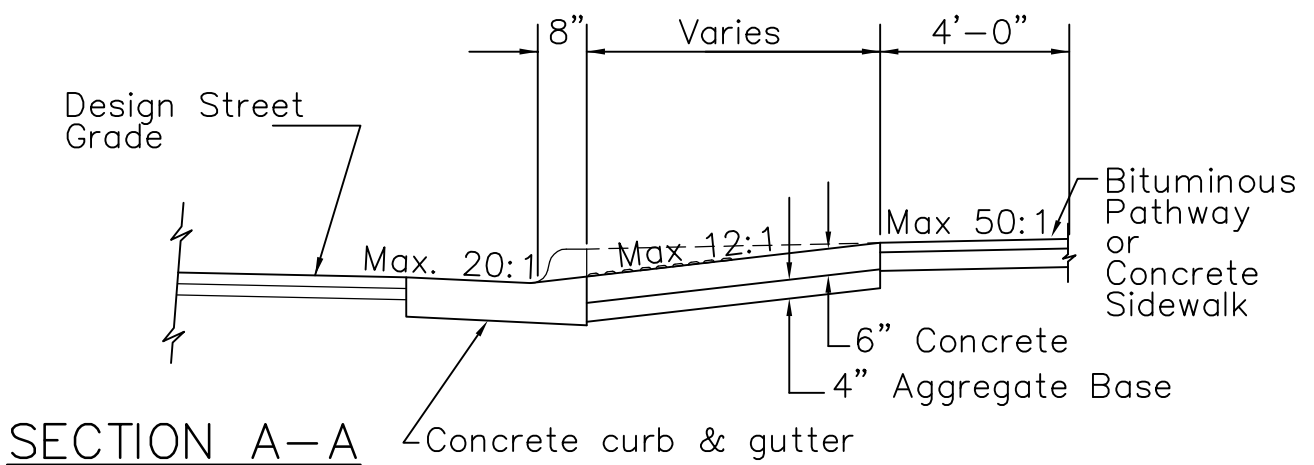


PLAN



SECTION B-B



SECTION A-A



**STANDARD DETAILS
PEDESTRIAN CURB RAMP
PATHWAY/SIDEWALK**



Last Revision:
June 2005

COTTAGE GROVE, MINNESOTA

City Plate No.
STR-6