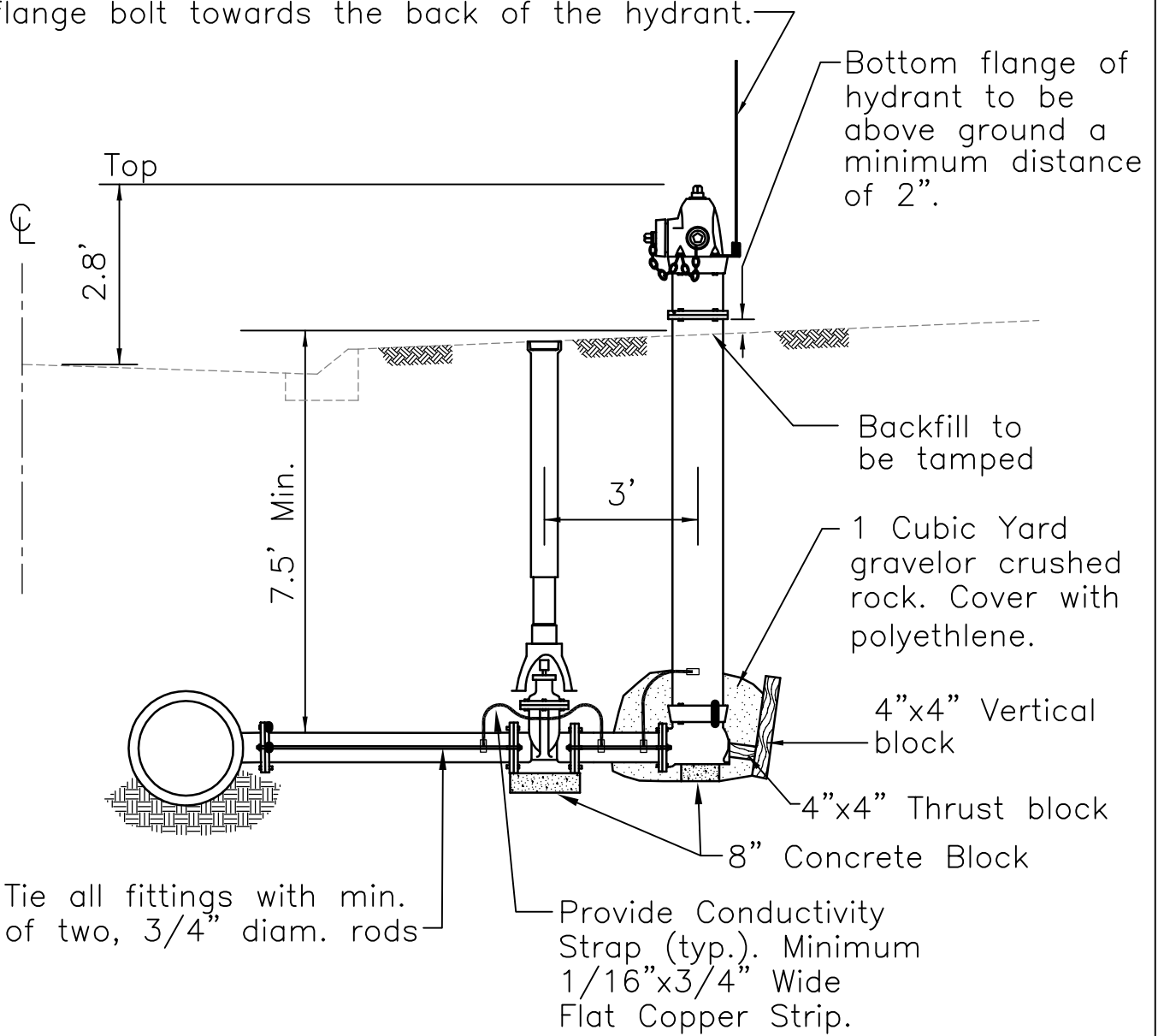


Fiberglass hydrant flag (Hydrafinder) to be attached to hydrant with an existing flange bolt towards the back of the hydrant.



All D.I.P. watermain shall be wrapped with 8 mil plastic, including all mechanical joints.



STANDARD DETAILS
HYDRANT DETAIL



Last Revision:
June 2005

COTTAGE GROVE, MINNESOTA

City Plate No.
WAT-1