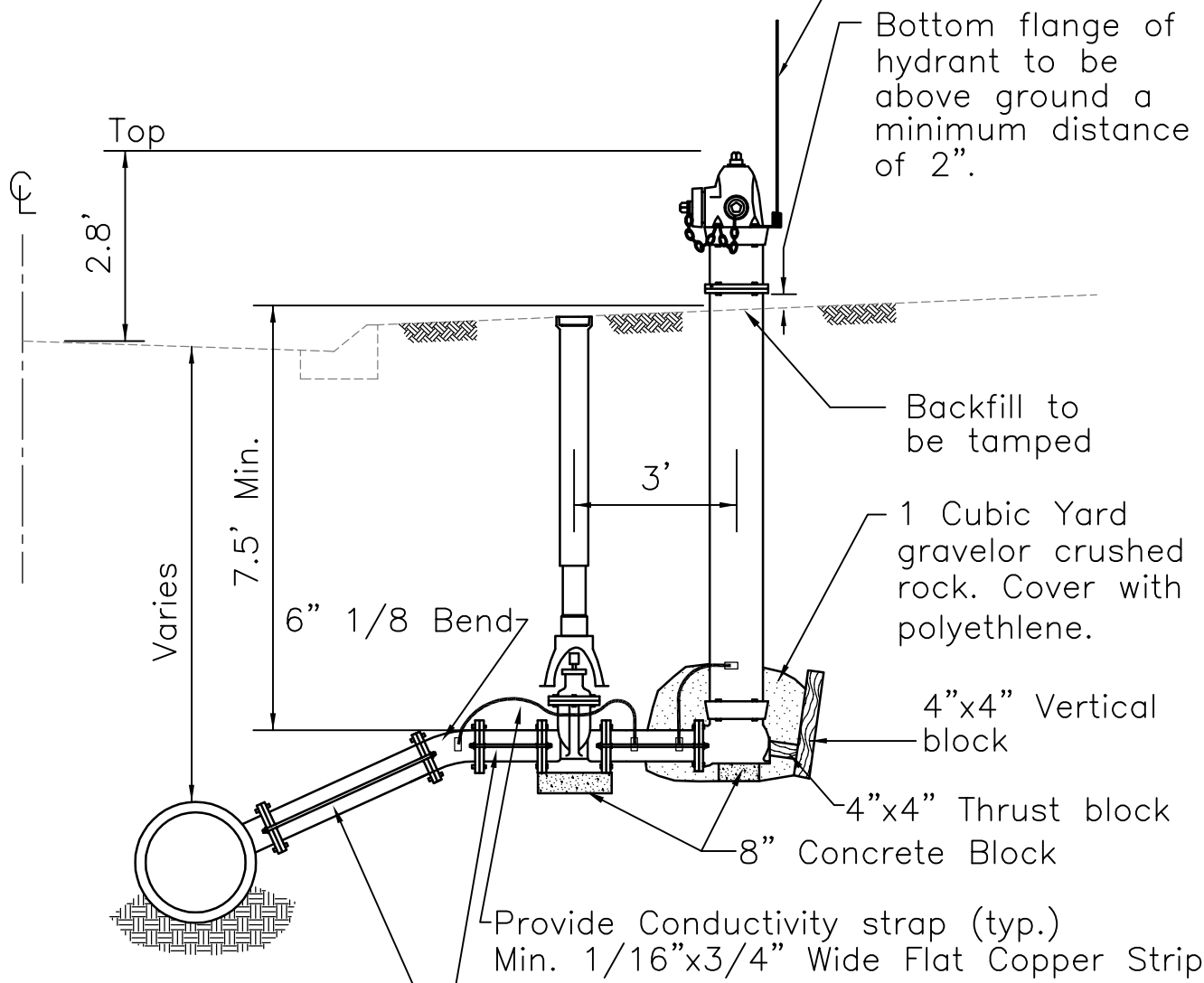


Fiberglass hydrant flag (Hydrafinder) to be attached to hydrant with an existing flange bolt towards the back of the hydrant.



Tie all fittings with min. of two, 3/4" diam. rods



STANDARD DETAILS
HYDRANT DETAIL
WITH VERTICAL BEND



Last Revision:
 June 2005

COTTAGE GROVE, MINNESOTA

City Plate No.
WAT-2